

产品说明 Product Description:

1. 检查项目 Check Item:

1、尺寸量测及规格确认。(量测部位以标英文字母为主)

Dimension measurements: To measure the specifications marked with alphabets

2、外观: 无压痕、气泡、缩水、变形、缺胶穿孔; 颜色无杂质无异色等。

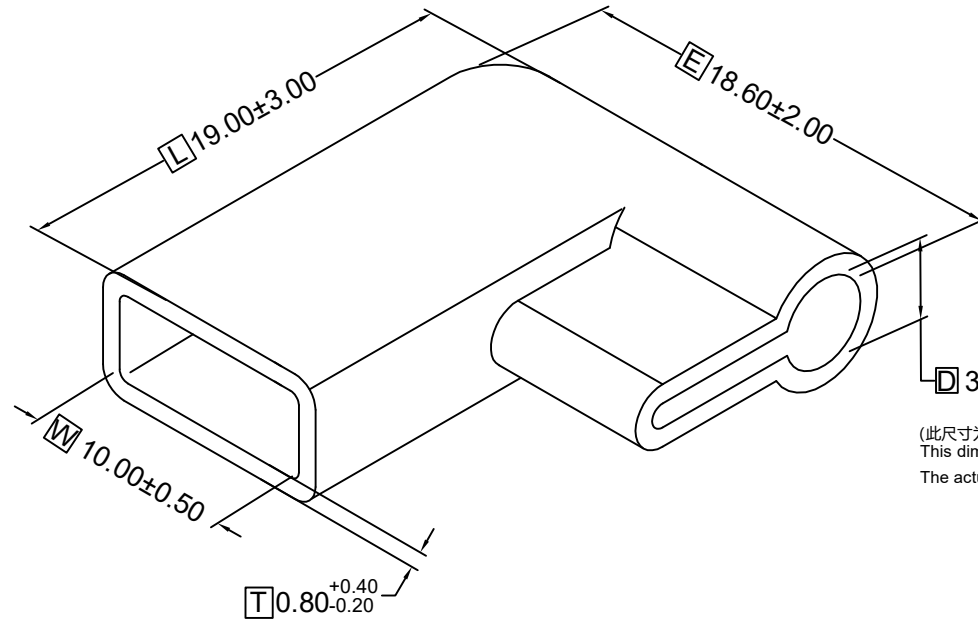
Appearance: no indentation, bubbles, deformation, short of glues, strange colour, and impurities

2.符合ROHS或客户环保要求

Comply with RoHS or customers's eco-friendly requirements

3.备注 NOTE:

REV. (版本)	DESCRIPTION (修改内容)	DATE. (日期)



□ 3.50±0.30 REF

(此尺寸为参考尺寸以实配实物为标准)  
This dimension is for reference only.

The actual dimension should be considered as final.

所下载之产品规格表  
仅供参考用  
The products of download is only for reference

未标注尺寸公差参考 Unmarked dimensional tolerance reference		颜色 Colour	白色(White)	
0±0.2	0°±5°	防火等级 Flammability rating	UL94V-0	
0.0±0.2	0.0°±3°			
0.00±0.1	0.00°±1°			
0.000±0.05		核准 APPROVED	审核 CHECKED	制图 DRAWING
				尺寸单位 Units
				mm
				日期 DATE
				版本 REV.

产品料号 Part NO.	JWDF250	文件名称 File Name	规格图 Product Specification
产品规格 Note	-	文件编号 File NO.	-
客户料号 Customer's Part NO.	-	单重 Single Weight	-
材质 Material	硅胶(Silicone)	包装数量 Packing Q' TY	1000/Bag
适配端子 Mating Part/ Spec.	F250082 F250032 F250092 F250142 F250102 Series terminal	认证编号 Certification NO.	-

