

产品说明 Product Description:

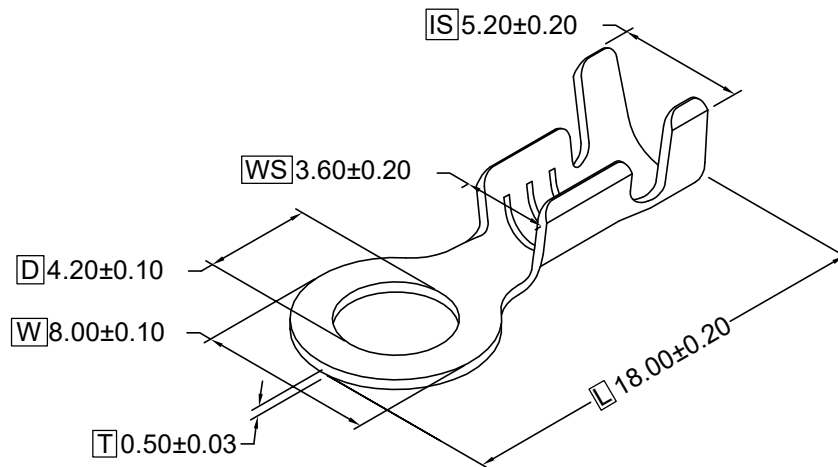
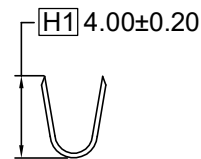
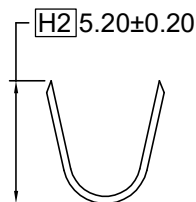
1.外观 Appearance:

>30CM距离, <5S目视, 无腐蚀、刮伤、氧化
 No corrosion, scratches, oxidation on surface
 Inspection condition:
 Inspect from >30cm away and for <5 seconds

2.环保: 符合ROHS&REACH

RoHS&REACH compliance: Yes

| REV. (版本) | DESCRIPTION (修改内容) | DATE. (日期) |
|-----------|--------------------|------------|
| | | |
| | | |
| | | |



**所下载之产品规格表
 仅供参考用**
 The products of download is only for reference

| | | | | |
|---|----------|----------------------|---------------|---------|
| 未标注尺寸公差参考 Unmarked dimensional tolerance reference | | 电线导体规格 Conductor | 16~20AWG | |
| 0±0.2 | 0°±5° | 电线绝缘OD Insulation | - | |
| 0.0±0.2 | 0.0°±3° | 核准 APPROVED | 尺寸单位 Units | mm |
| 0.00±0.1 | 0.00°±1° | 审核 CHECKED | 日期 DATE | 版本 REV. |
| 0.000±0.05 | | 制图 DRAWING | | |

| | | | |
|-----------------------------|---------|---------------------------|------------------------------|
| 产品料号 Part NO. | R420512 | 文件名称 File Name | 规格图 Product Specification |
| 产品规格 Note | - | 文件编号 File NO. | - |
| 客户料号 Customer's Part NO. | - | 单重 Single Weight | - |
| 材质 Material | - | 包装数量 Packing Q' TY | 5000Pcs/Reel |
| 适配端子 Mating Part/ Spec. | - | 认证编号 Certification NO. | E207458 |

