

产品说明 Product Description:

1. 检查项目 Check Item:

1、尺寸量测及规格确认。(量测部位以标英文字母为主)

Dimension measurements: To measure the specifications marked with alphabets

2、外观: 无压痕、气泡、缩水、变形、缺胶穿孔; 颜色无杂质无异色等。

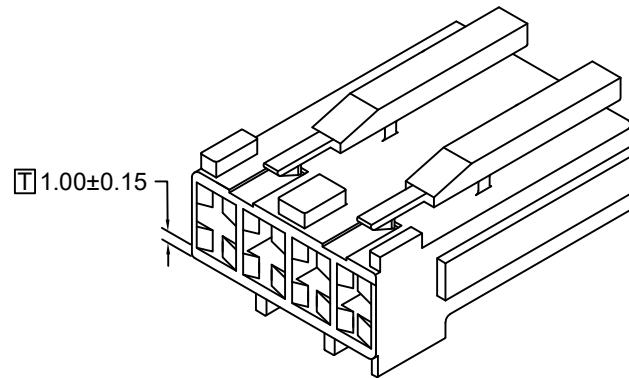
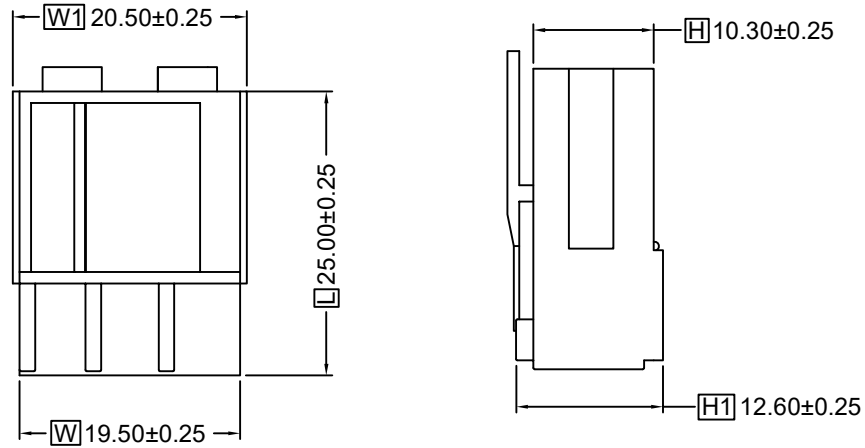
Appearance: no indentation, bubbles, deformation, short of glues, strange colour, and impurities

2.符合ROHS或客户环保要求

Comply with RoHS or customers's eco-friendly requirements

3.备注 NOTE:

| REV. (版本) | DESCRIPTION (修改内容) | DATE. (日期) |
|-----------|--------------------|------------|
|           |                    |            |
|           |                    |            |
|           |                    |            |



所下载之产品规格表  
仅供参考用  
The products of download is only for reference

|   |          |                             |               |               |
|---|----------|-----------------------------|---------------|---------------|
| 未标注尺寸公差参考<br>Unmarked dimensional tolerance reference |          | 颜色<br>Colour                | 黑色(Black)     |               |
| 0±0.2   | 0°±5°    | 防火等级<br>Flammability rating | UL94V-0       |               |
| 0.0±0.2   | 0.0°±3°  |                             |               |               |
| 0.00±0.1  | 0.00°±1° |                             |               |               |
| 0.000±0.05  |          | 核准<br>APPROVED              | 审核<br>CHECKED | 制图<br>DRAWING |
|   |          |                             |               | 尺寸单位<br>Units |
|   |          |                             |               | mm            |
|   |          |                             |               | 日期 DATE       |
|   |          |                             |               | 版本 REV.       |

|                             |              |                           |                              |
|-----------------------------|--------------|---------------------------|------------------------------|
| 产品料号<br>Part NO.            | JE3-593-4FLB | 文件名称<br>File Name         | 规格图<br>Product Specification |
| 产品规格<br>Note                | -            | 文件编号<br>File NO.          | -                            |
| 客户料号<br>Customer's Part NO. | -            | 单重<br>Single Weight       | -                            |
| 材质<br>Material              | Nylon        | 包装数量<br>Packing Q' TY     | 300/Bag                      |
| 适配端子<br>Mating Part/ Spec.  | C635701      | 认证编号<br>Certification NO. | -                            |

