

产品说明 Product Description:

1.检查项目 Check Item:

1、尺寸量测及规格确认。(量测部位以标英文字母为主)

Dimension measurements: To measure the specifications marked with alphabets

2、外观：无压痕、气泡、缩水、变形、缺胶穿孔；颜色无杂质无异色等。

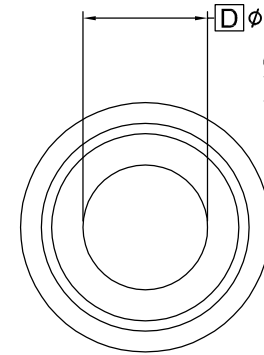
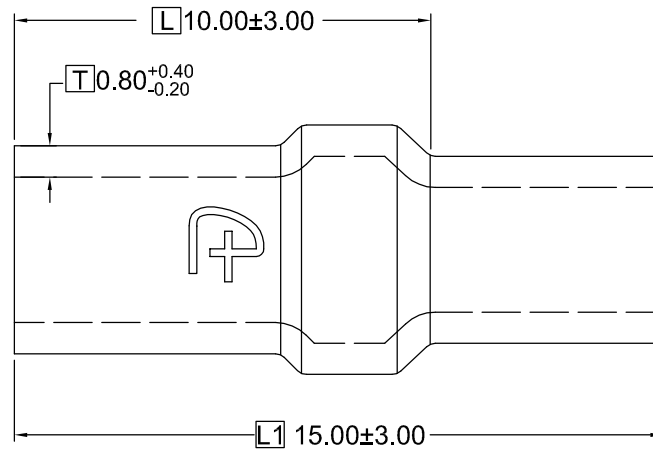
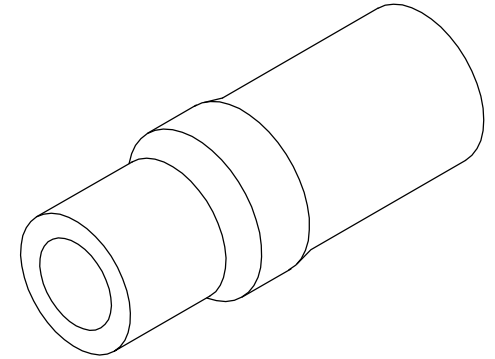
Appearance: no indentation, bubbles, deformation, short of glues, strange colour, and impurities

2.符合ROHS或客户环保要求

Comply with RoHS or customers's eco-friendly requirements

3.备注 NOTE:

| REV. (版本) | DESCRIPTION (修改内容) | DATE. (日期) |
|-----------|--------------------|------------|
| | | |
| | | |
| | | |



(此尺寸为参考尺寸以实配实物为标准)
This dimension is for reference only.
The actual dimension should be considered as final.

所下载之产品规格表
仅供参考用
The products of download is only for reference

| | | | | |
|---|----------|-----------------------------|-----------------|---------------|
| 未标注尺寸公差参考 Unmarked dimensional tolerance reference | | 颜色 Colour | 透明(Transparent) | |
| 0±0.2 | 0°±5° | 防火等级 Flammability rating | UL94V-2 | |
| 0.0±0.2 | 0.0°±3° | | | |
| 0.00±0.1 | 0.00°±1° | | | |
| 0.000±0.05 | | 核准 APPROVED | 审核 CHECKED | 制图 DRAWING |
| | | | | 尺寸单位 Units |
| | | | | mm |
| | | | | 日期 DATE |
| | | | | 版本 REV. |

| | | | |
|-----------------------------|--|---------------------------|------------------------------|
| 产品料号 Part NO. | J21130 | 文件名称 File Name | 规格图 Product Specification |
| 产品规格 Note | - | 文件编号 File NO. | - |
| 客户料号 Customer's Part NO. | - | 单重 Single Weight | - |
| 材质 Material | PVC | 包装数量 Packing Q' TY | 2000/Bag |
| 适配端子 Mating Part/ Spec. | G350012 G396022 G456092 G396102 G396032 G396041 Series terminal | 认证编号 Certification NO. | - |

