

产品说明 Product Description:

1.外观 Appearance:

>30CM距离, <5S目视, 无腐蚀、刮伤、氧化
No corrosion, scratches, oxidation on surface

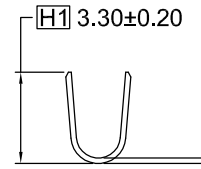
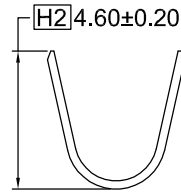
Inspection condition:

Inspect from >30cm away and for <5 seconds

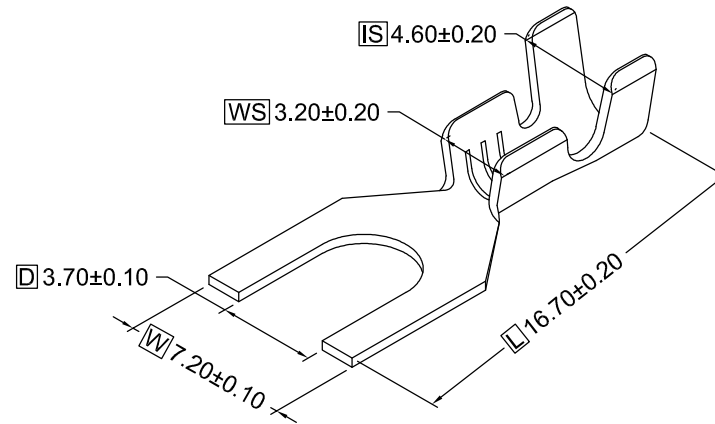
2.环保: 符合ROHS&REACH

RoHS&REACH compliance: Yes

REV. (版本)	DESCRIPTION (修改内容)	DATE. (日期)



T 0.40 ± 0.03



**所下载之产品规格表
仅供参考用**
 The products of download is only for reference

未标注尺寸公差参考 Unmarked dimensional tolerance reference		导线导体规格 Conductor	尺寸单位 Units	
0 ± 0.2	0° ± 5°	16~20AWG	mm	mm
0.0 ± 0.2	0.0° ± 3°	导线绝缘OD Insulation	-	-
0.00 ± 0.1	0.00° ± 1°	核准 APPROVED	日期 DATE	版本 REV.
0.000 ± 0.05		审核 CHECKED		
		制图 DRAWING		

产品料号 Part NO.	R371232	文件名称 File Name	规格图 Product Specification
产品规格 Note	-	文件编号 File NO.	-
客户料号 Customer's Part NO.	-	单重 Single Weight	-
材质 Material	-	包装数量 Packing Q' TY	10000Pcs/Reel
适配端子 Mating Part/ Spec.	-	认证编号 Certification NO.	-

