

产品说明 Product Description:

1.外观 Appearance:

>30CM距离, <5S目视, 无腐蚀、刮伤、氧化  
No corrosion, scratches, oxidation on surface

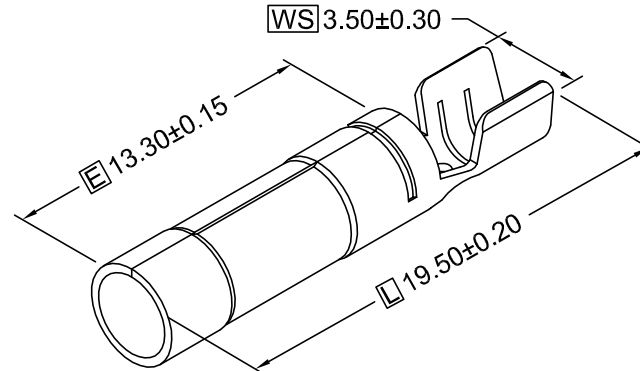
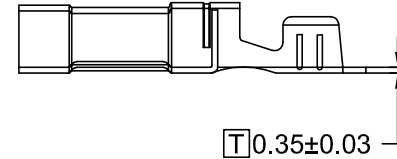
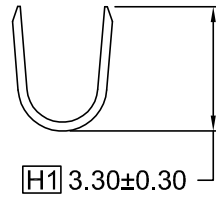
Inspection condition:

Inspect from >30cm away and for <5 seconds

2.环保: 符合ROHS&REACH

RoHS&REACH compliance: Yes

| REV. (版本) | DESCRIPTION (修改内容) | DATE. (日期) |
|-----------|--------------------|------------|
|           |                    |            |
|           |                    |            |
|           |                    |            |



所下载之产品规格表  
仅供参考用  
The products of download is only for reference

|   |          |                      |               |         |
|---|----------|----------------------|---------------|---------|
| 未标注尺寸公差参考<br>Unmarked dimensional tolerance reference |          | 导线导体规格<br>Conductor  | 16~20AWG      |         |
| 0±0.2   | 0°±5°    | 导线绝缘OD<br>Insulation | -             |         |
| 0.0±0.2   | 0.0°±3°  | 核准<br>APPROVED       | 尺寸单位<br>Units | mm      |
| 0.00±0.1  | 0.00°±1° | 审核<br>CHECKED        | 日期 DATE       | 版本 REV. |
| 0.000±0.05  |          | 制图<br>DRAWING        |               |         |

|                             |         |                           |                              |
|-----------------------------|---------|---------------------------|------------------------------|
| 产品料号<br>Part NO.            | C320122 | 文件名称<br>File Name         | 规格图<br>Product Specification |
| 产品规格<br>Note                | -       | 文件编号<br>File NO.          | -                            |
| 客户料号<br>Customer's Part NO. | -       | 单重<br>Single Weight       | -                            |
| 材质<br>Material              | -       | 包装数量<br>Packing Q' TY     | 5000Pcs/Reel                 |
| 适配端子<br>Mating Part/ Spec.  | φ3.10mm | 认证编号<br>Certification NO. | -                            |

